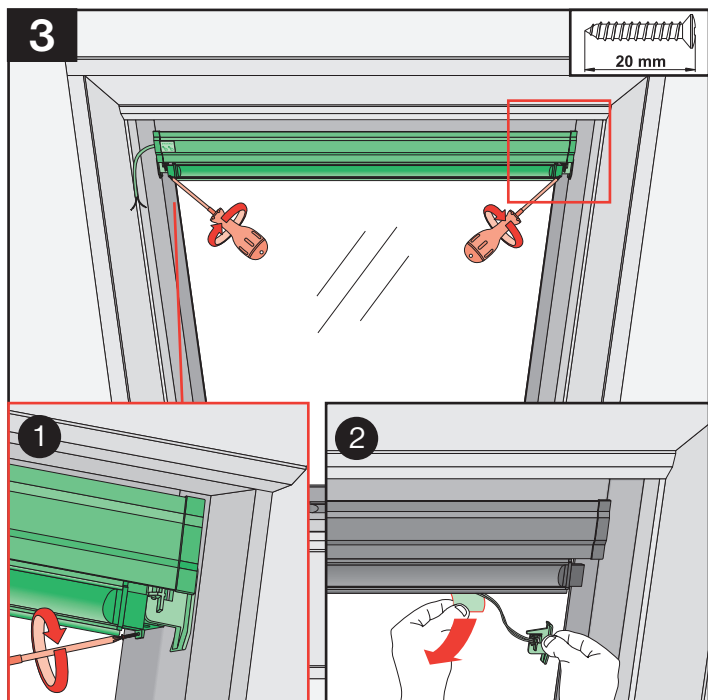
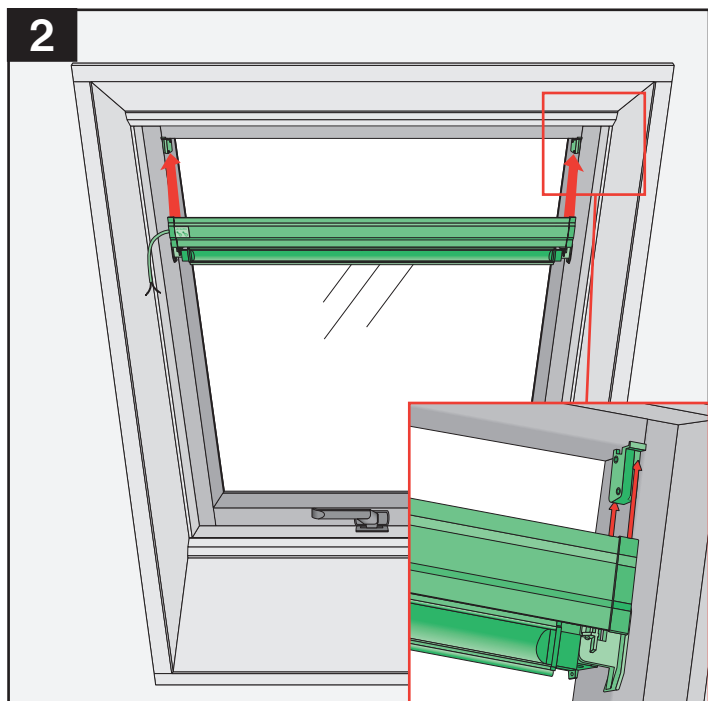
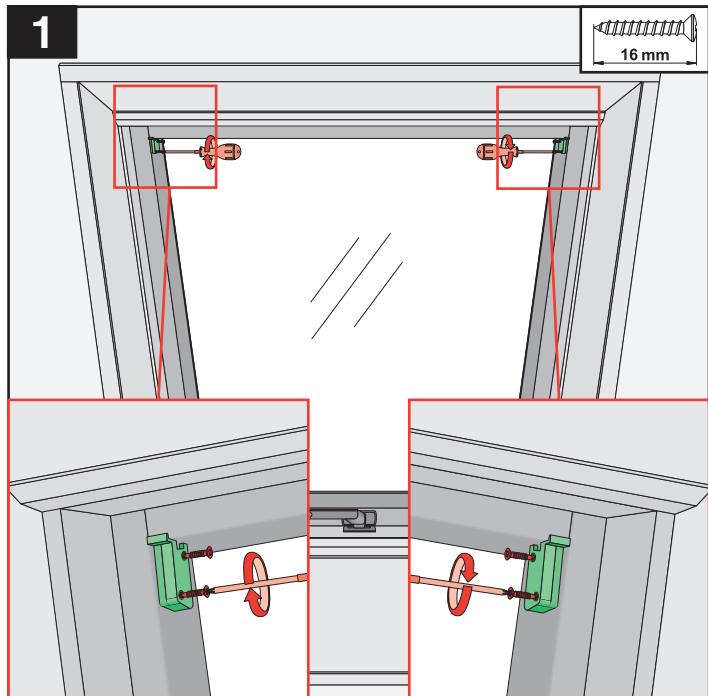
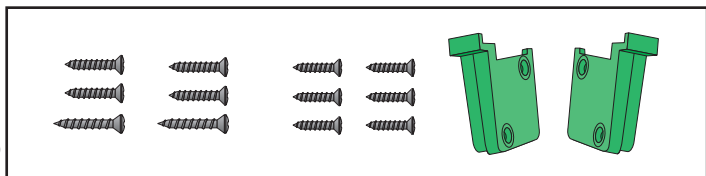
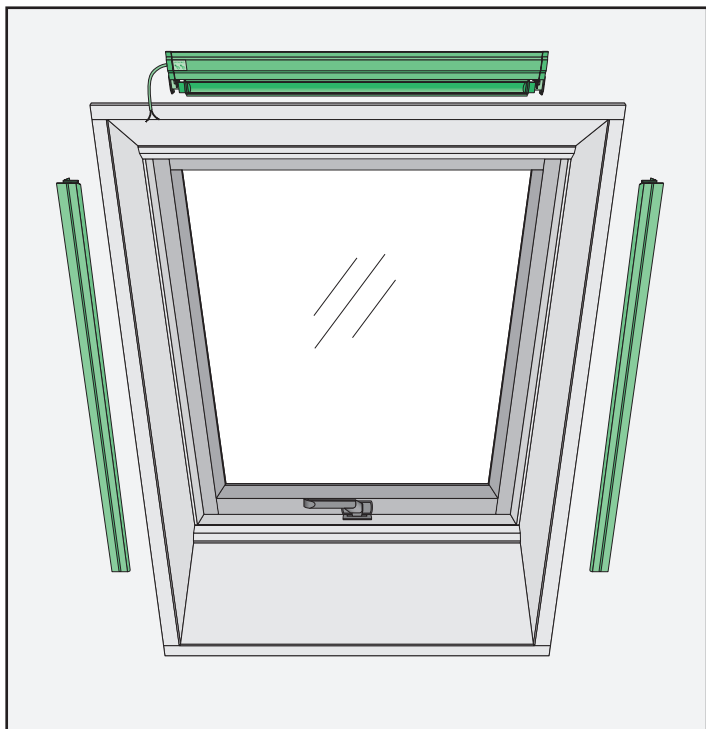
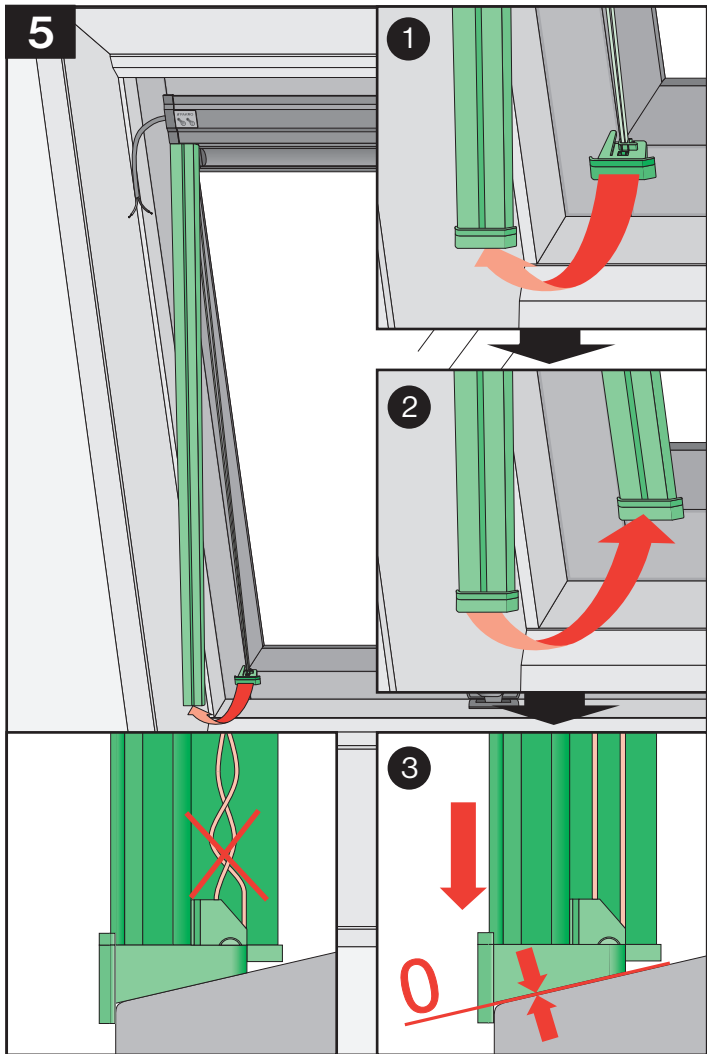
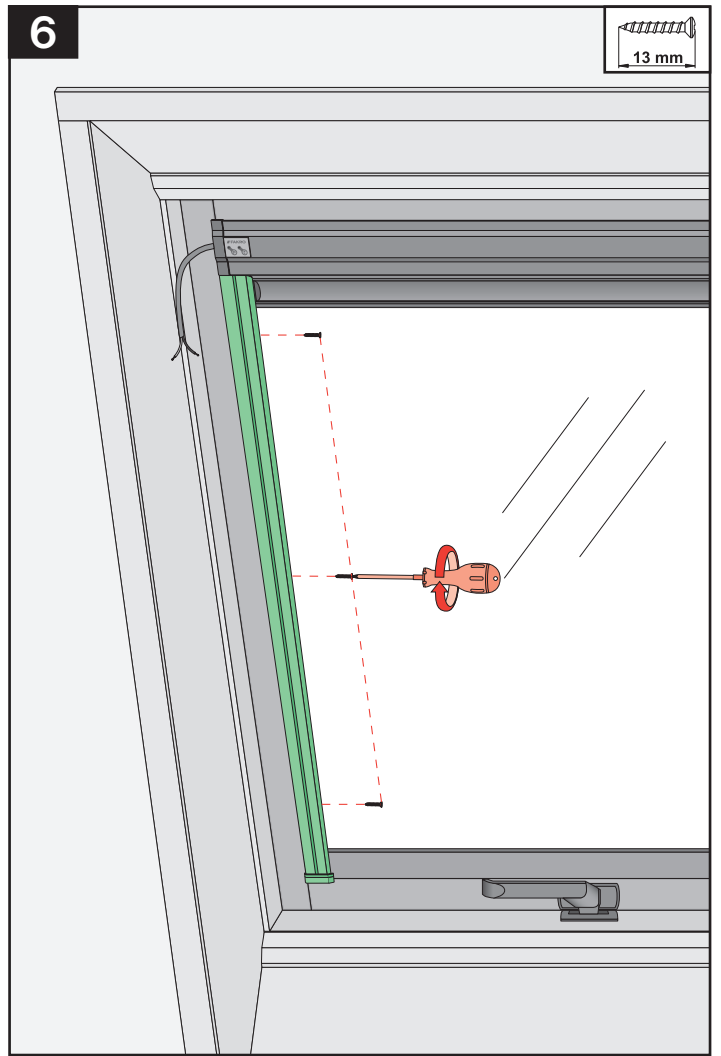
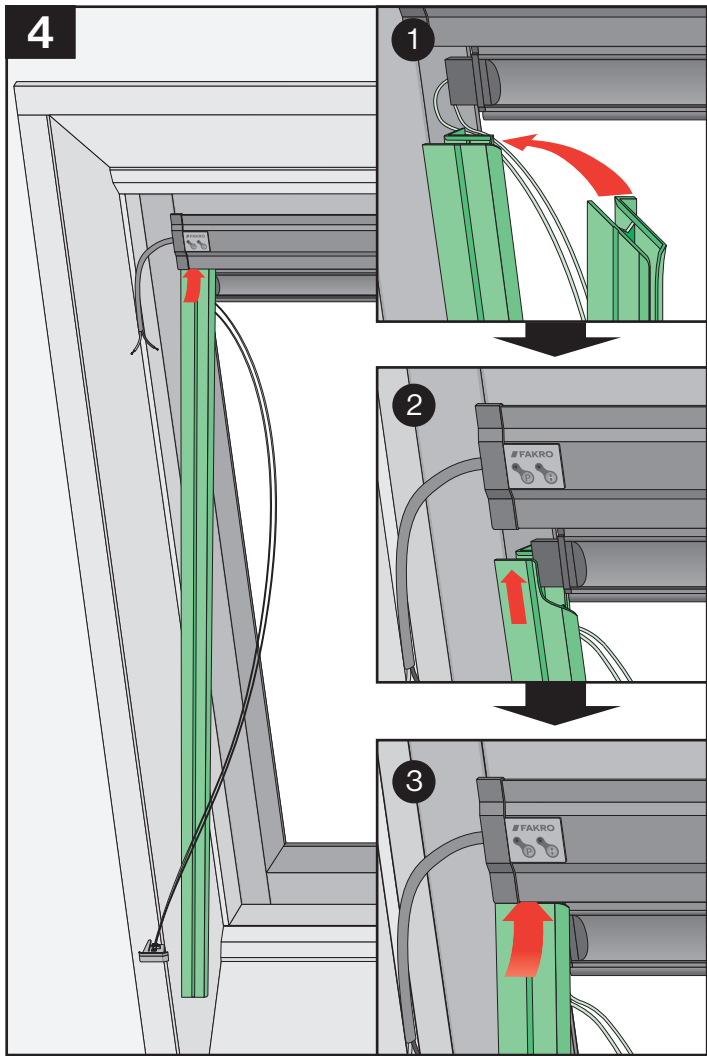
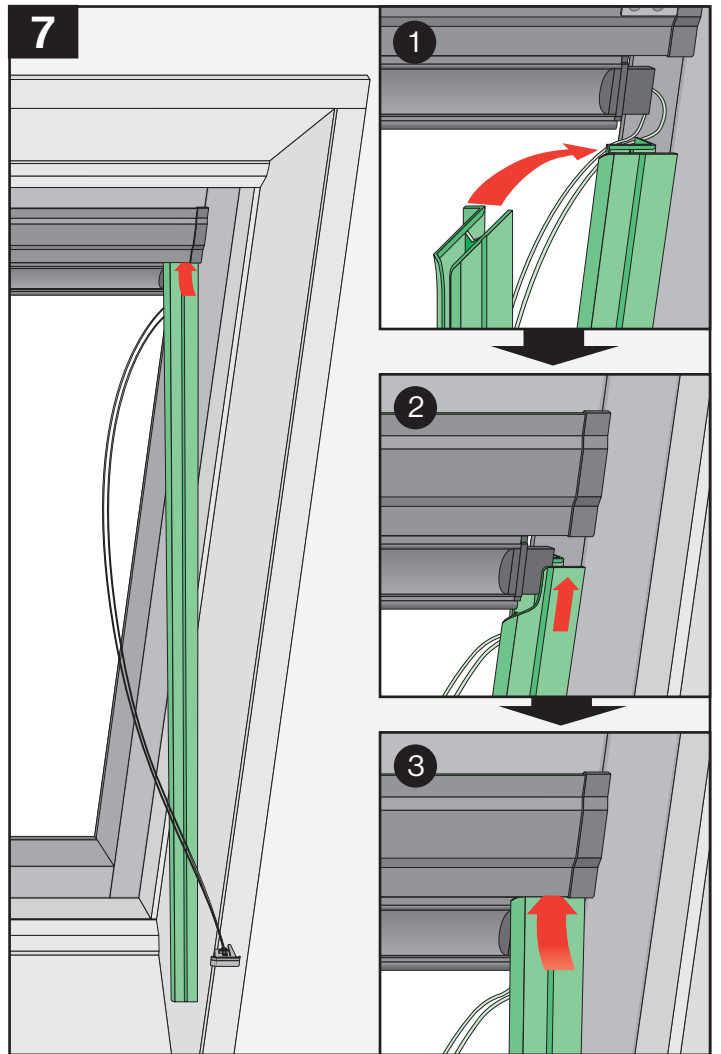


ARF Z-Wave

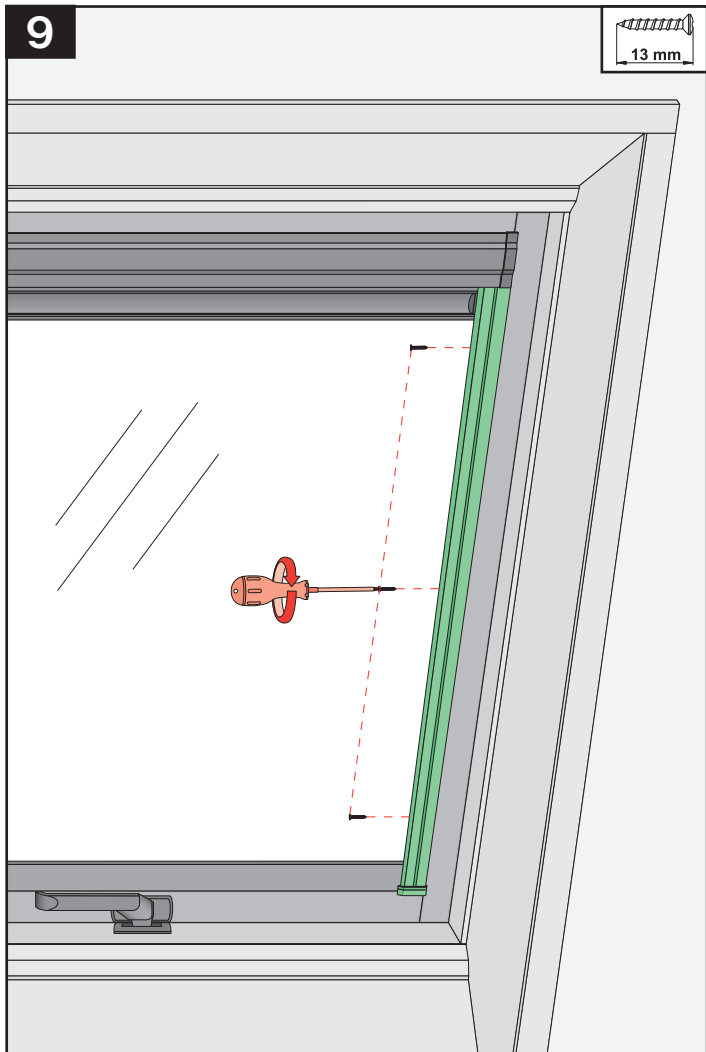
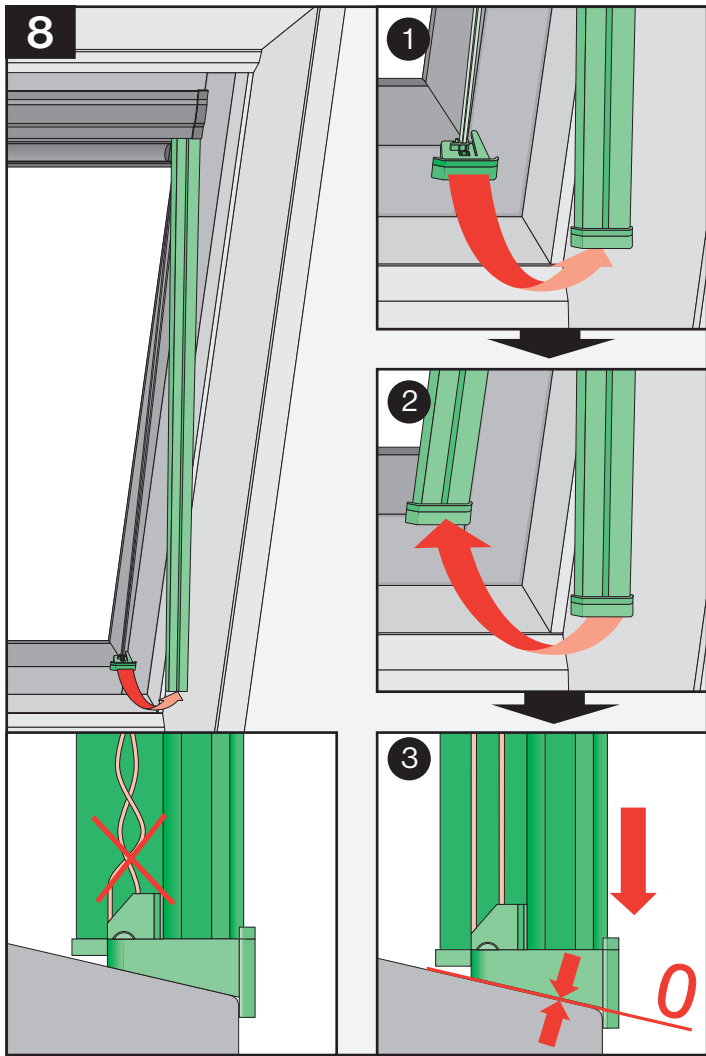


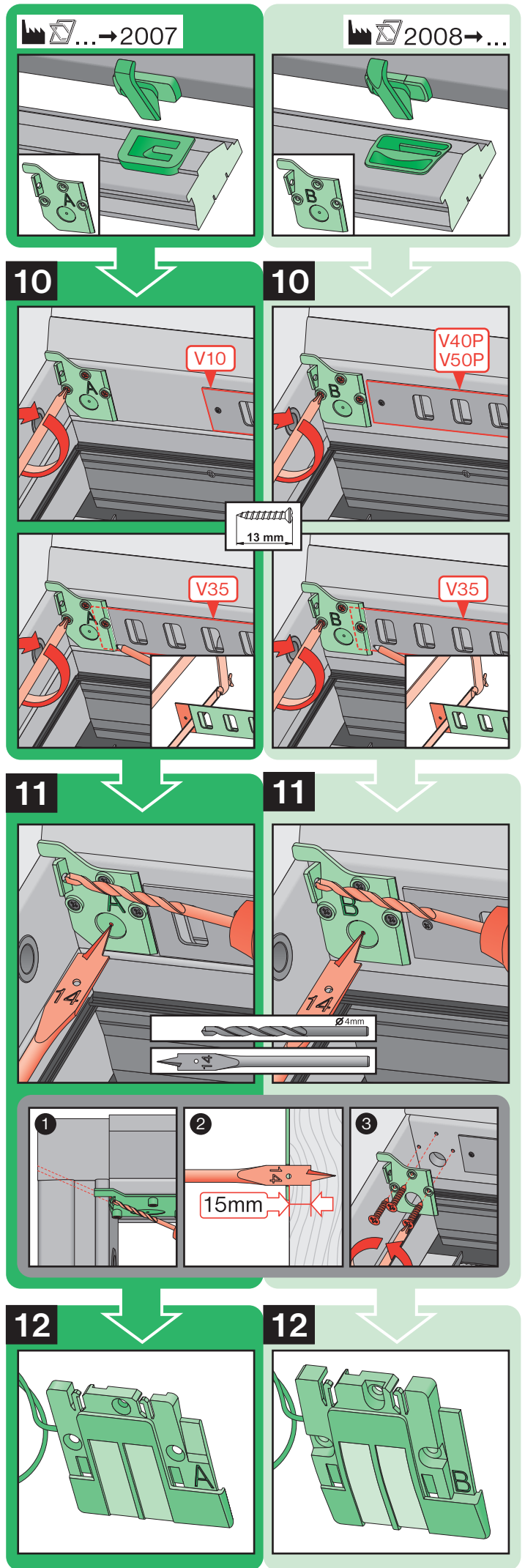
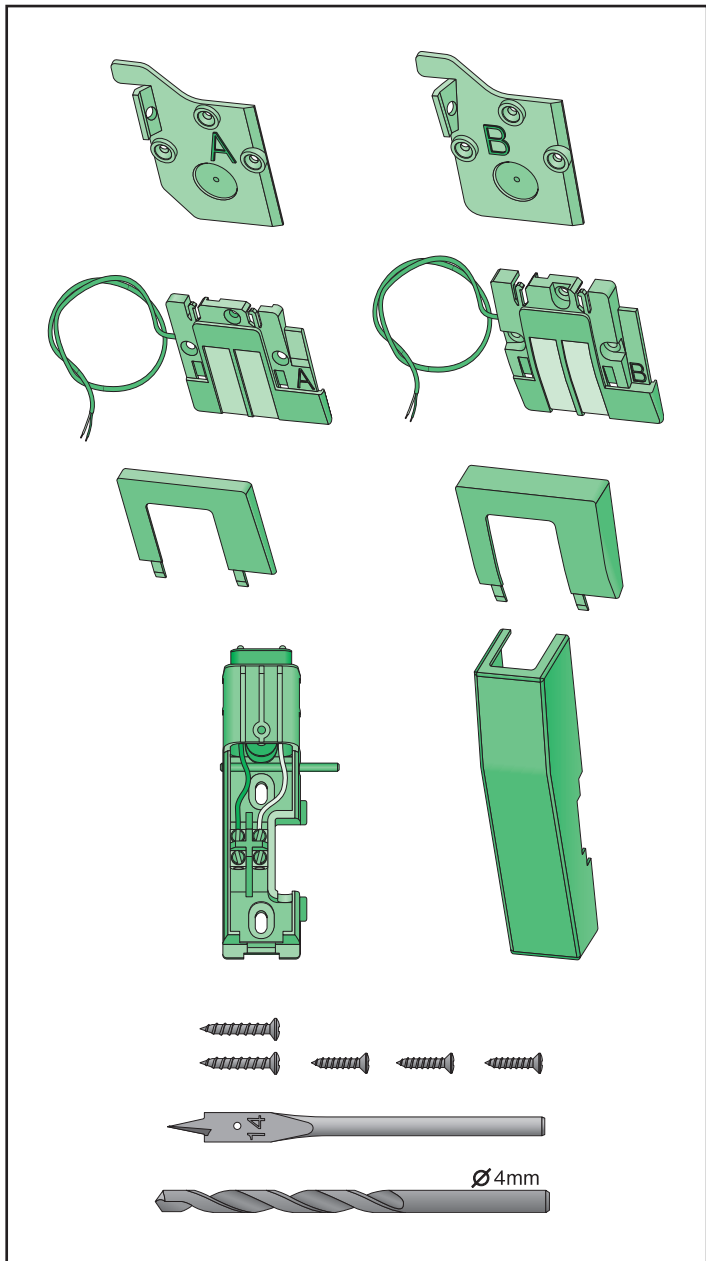
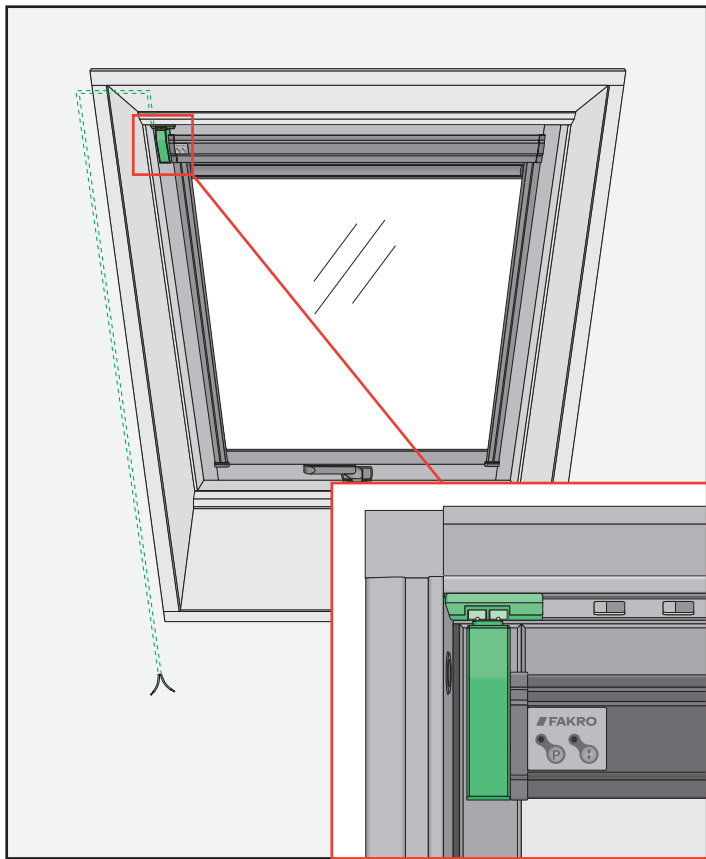


3

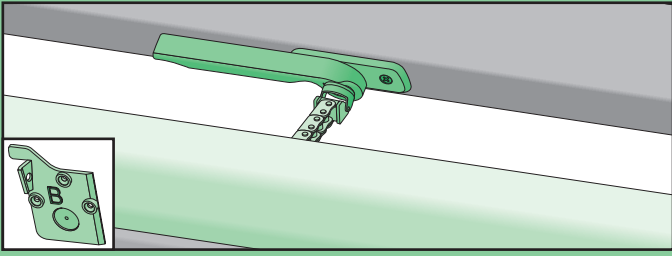


4

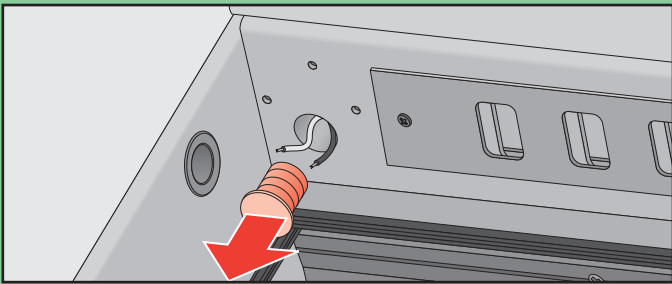
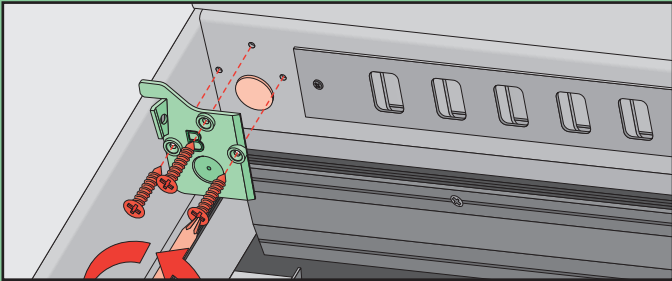
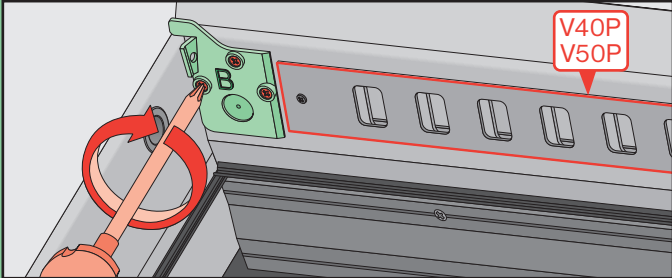




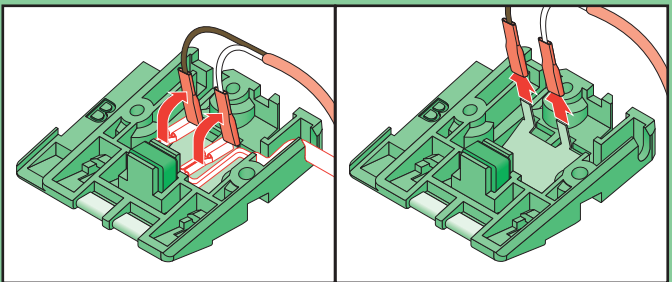
FTP-V.. Z-WAVE



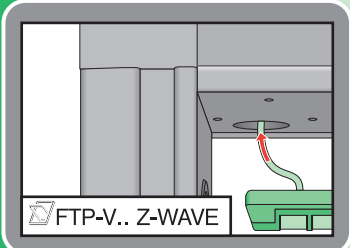
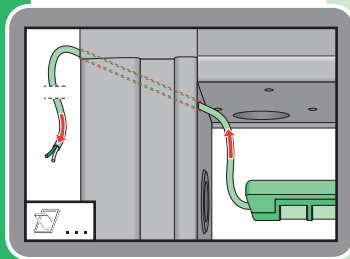
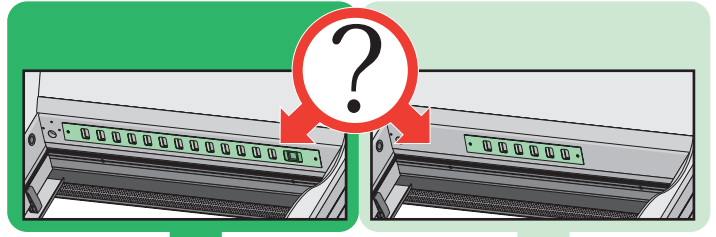
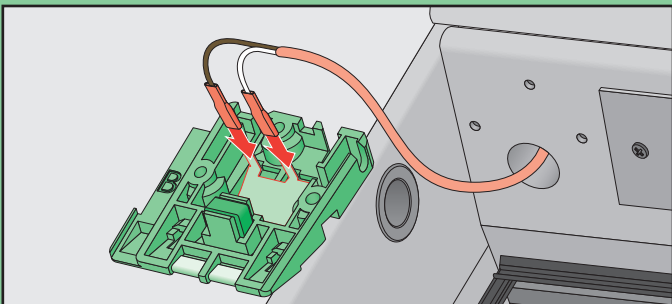
10



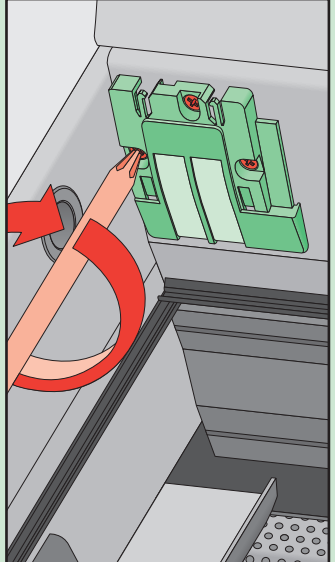
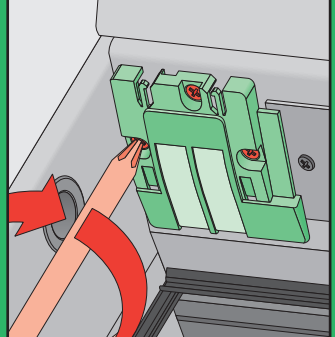
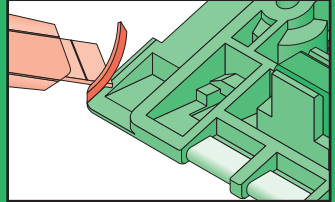
11



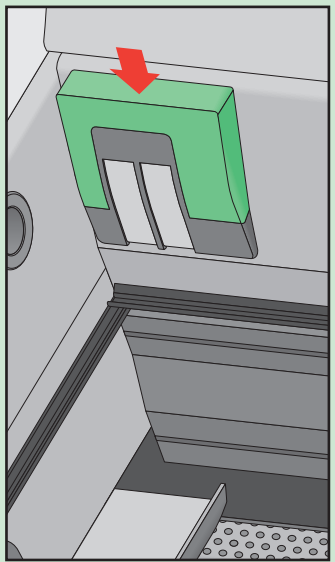
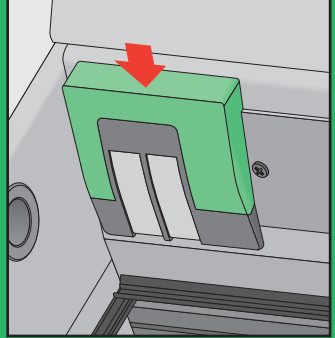
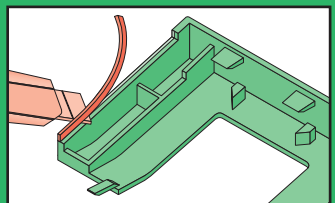
12



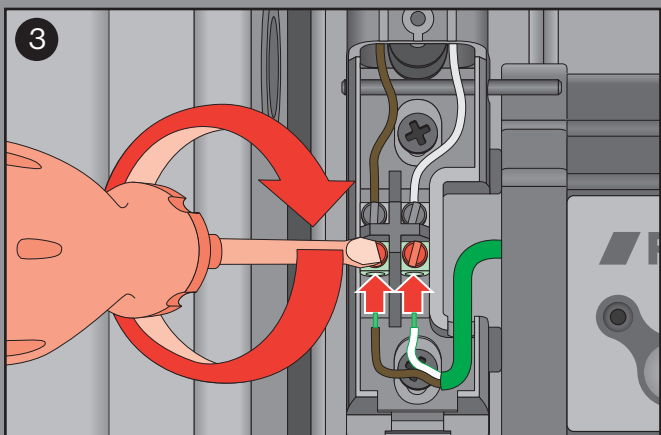
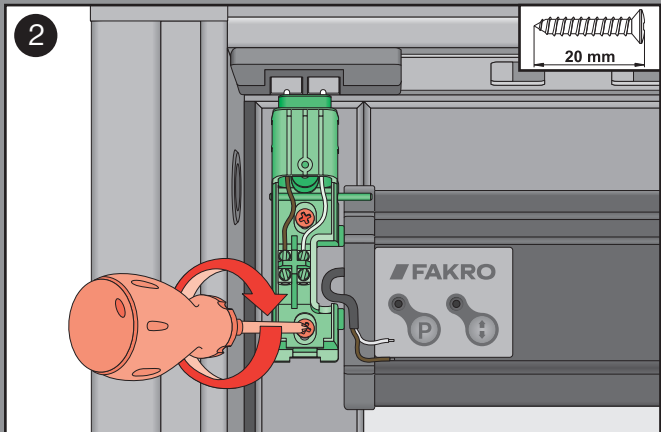
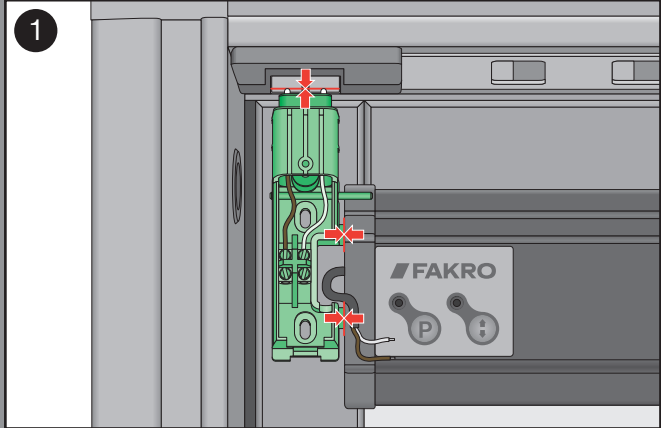
13



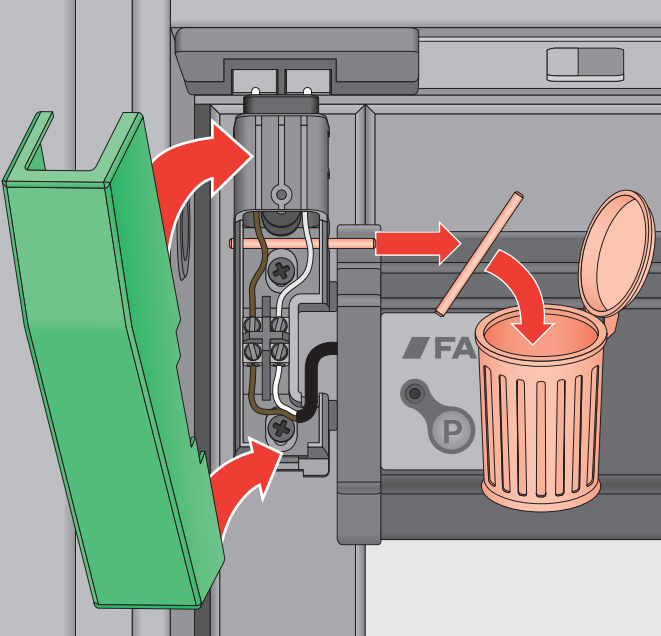
14



15



16



17

